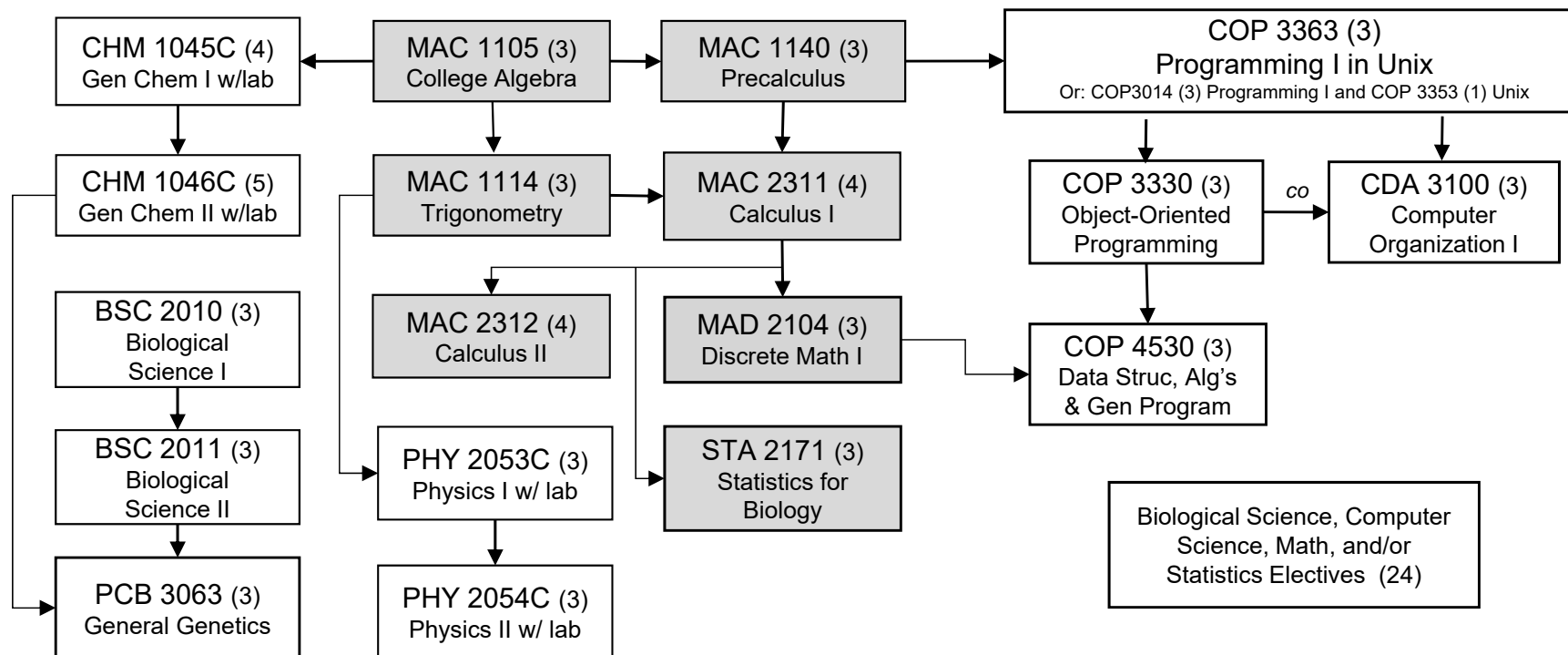


Undergraduate Computational Biology Flowchart

2020

This document should not be considered a complete representation of all degree requirements at FSU. Arrows indicate prerequisite – “co” indicates co-requisite (the classes may be taken simultaneously)



Oral Comp (3)

A&S Requirements

Foreign Lang I
(4)

Foreign Lang II
(4)

Foreign Lang III
(4)

Approved list of electives:

Computer Science: COP 3252, COP 4531, COP 4710, COT 4420, CIS4900r

Biology: BOT 4394, BSC 2010L, BSC 2011L, BSC 3402L, BSC 4613, BSC 4900r, BSC 4933, MCB 4403, MCB 4403L, PCB 3134, PCB 4701, PCB 4024, PCB 4233, PCB 4253, PCB 4674, PCB 4843

Math: MAC 2312, MAC 2313, MAP 2480, MAP 4481

Statistics: STA 4102, STA 4103, STA 4202, STA 4203, STA 4442, STA 4502, STA 4702