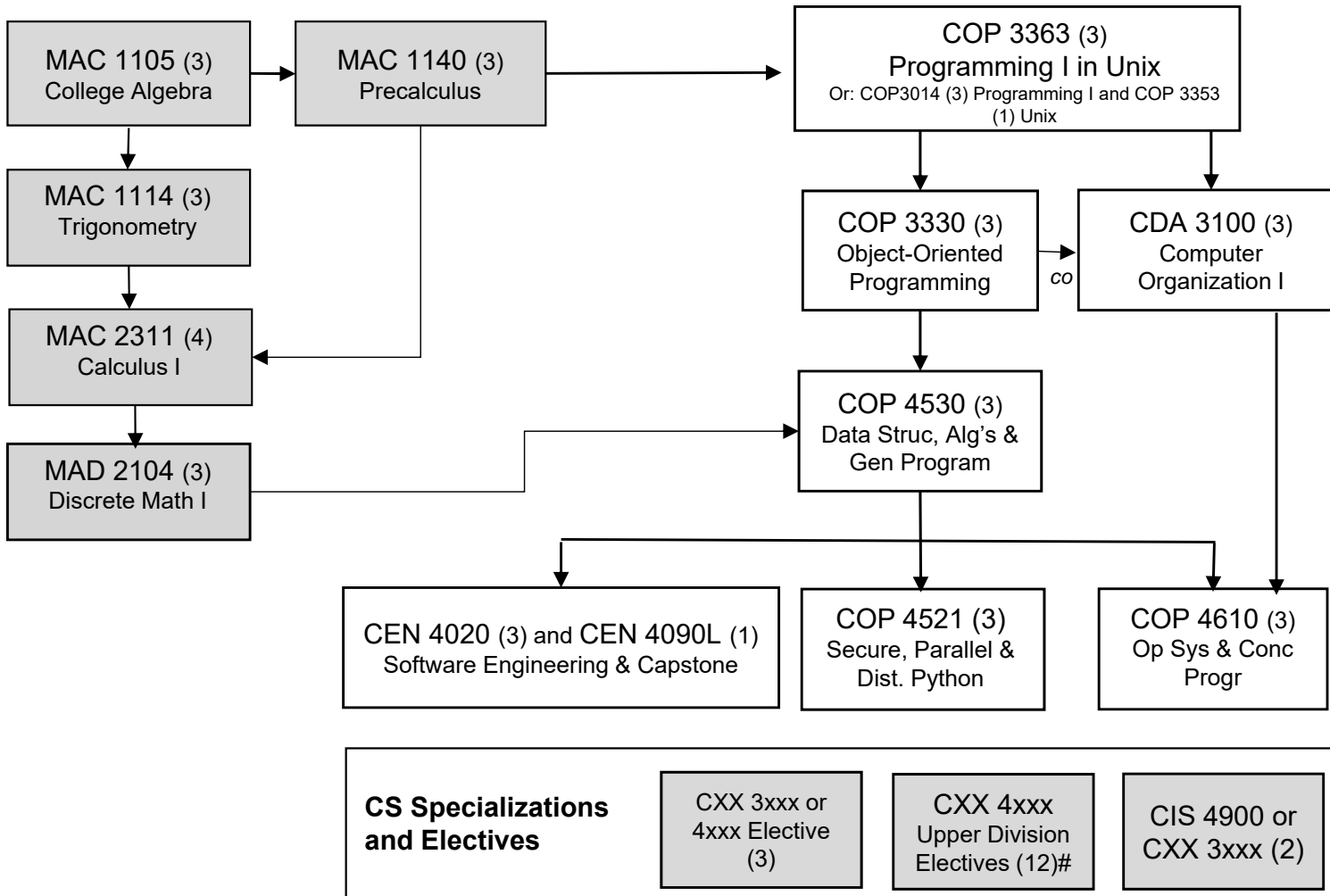


# Undergraduate Computer Science BA Flowchart

Fall 2020

*This document should not be considered a complete representation of all degree requirements at FSU. Arrows indicate prerequisite – “co” indicates co-requisite (the classes may be taken simultaneously)*

*Note that CIS 3250L (1) may be taken as an Oral Communication course, or students may take a different FSU-approved Oral Communication course required for graduation.*



## A&S Requirements

Foreign Lang I  
(4)

Foreign Lang II  
(4)

Foreign Lang III  
(4)

Minor Requirement

Humanities (9)  
Beyond General Education

*Note: A Humanities based minor will fulfill the 9 hours of Humanities course work beyond the Liberal Studies*

Oral Competency  
(3)

CS BA majors may not take any course with a CGS prefix.